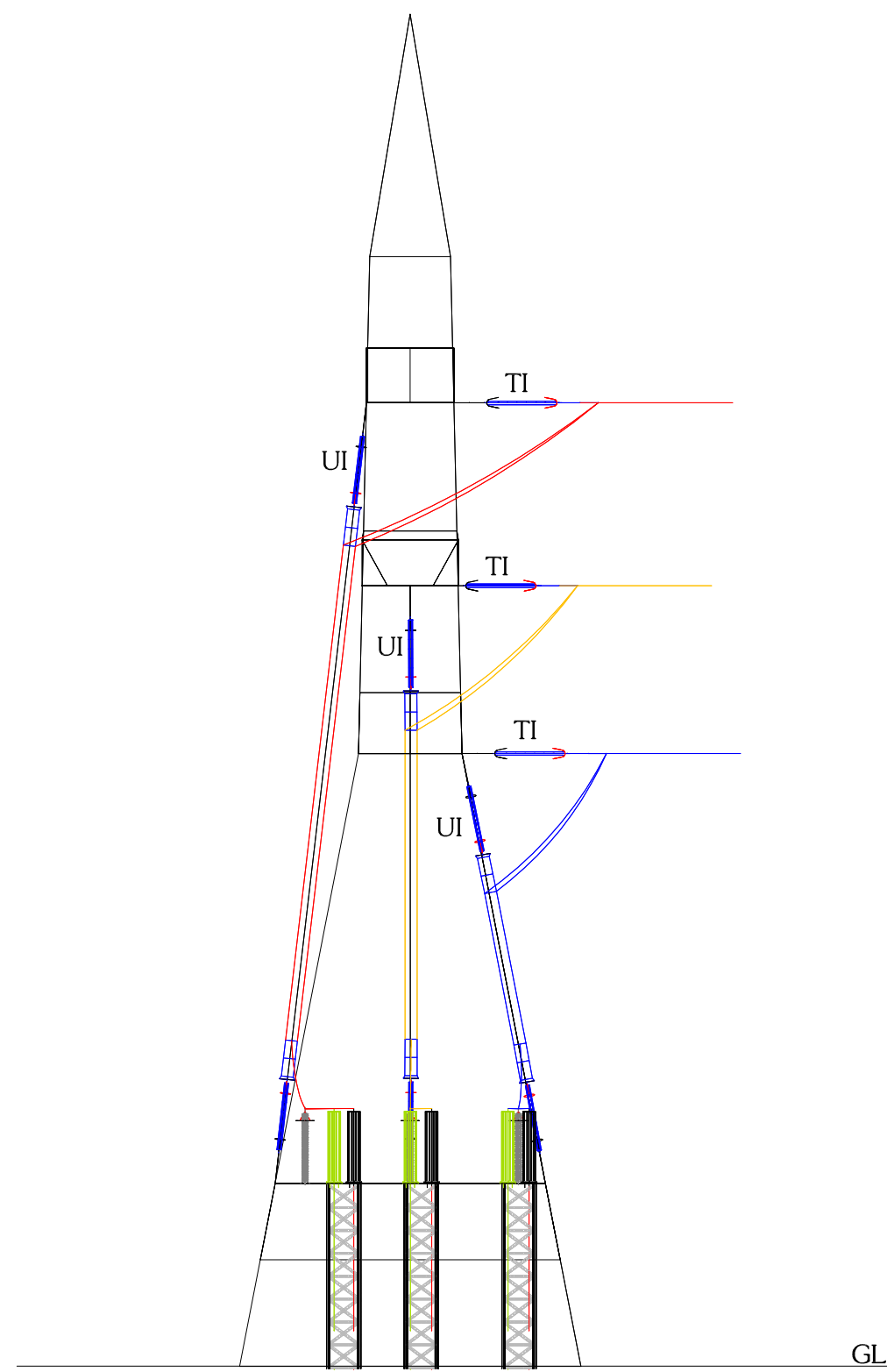


TRANSVERSE VIEW



LONGITUDINAL VIEW

Abbreviations:

- (i) Ph - Phase to Phase Clearance (1.2 m*)
- (ii) E - Phase to Earth Clearance (1.0 m*)
- (iii) IS - Inverted Insulator string
- (iv) SA - Surge Arrestor
- (v) UI - Upright Insulator String
- (vi) TI - Tension Insulator String
- (vii) CSE - Compound Sealing End Bushing

Notes :

- (a) All dimensions are in millimeters unless otherwise specified
- (b) OHL Connector/Terminals of SA/CSE should be verified for compatibility of arrangement.
- (c) SA terminal and CSE terminal should be compatible for number of OHL conductors connection down droppers and CSE
- (d) When aviation warning spheres used, extra height can be achieved by adding suitable height extensions.

REV	DATE	DRAWN	REVISION DETAILS	CHECKED

CLIENT:
 الهيئة الاتحادية للكهرباء والماء
 Federal Electricity & Water Authority

CONSULTANT:
ENERGOPROJEKT ENTEL
 P.O.Box 46725
 DUBAI - UNITED ARAB EMIRATES
 FAX : +97143356754 TEL : +97143356761

MAIN CONTRACTOR:
سنتور
ELECTRO-MECHANICAL CONTRACTING CO.(L.L.C)
 P.O.Box 25104, Dubai - U.A.E.
 Tel: (9714) 4542808, Fax: (9714) 4542809 Email: info@centaur.ae web: www.centaur.ae

ENGINEERING:
ENFRAS TECHNICAL SERVICES (L.L.C)
 P.O.Box :7521, Dubai - U.A.E.
 Tel: +971-4-2895401
 ENFRAS Fax: +971-4-2895402

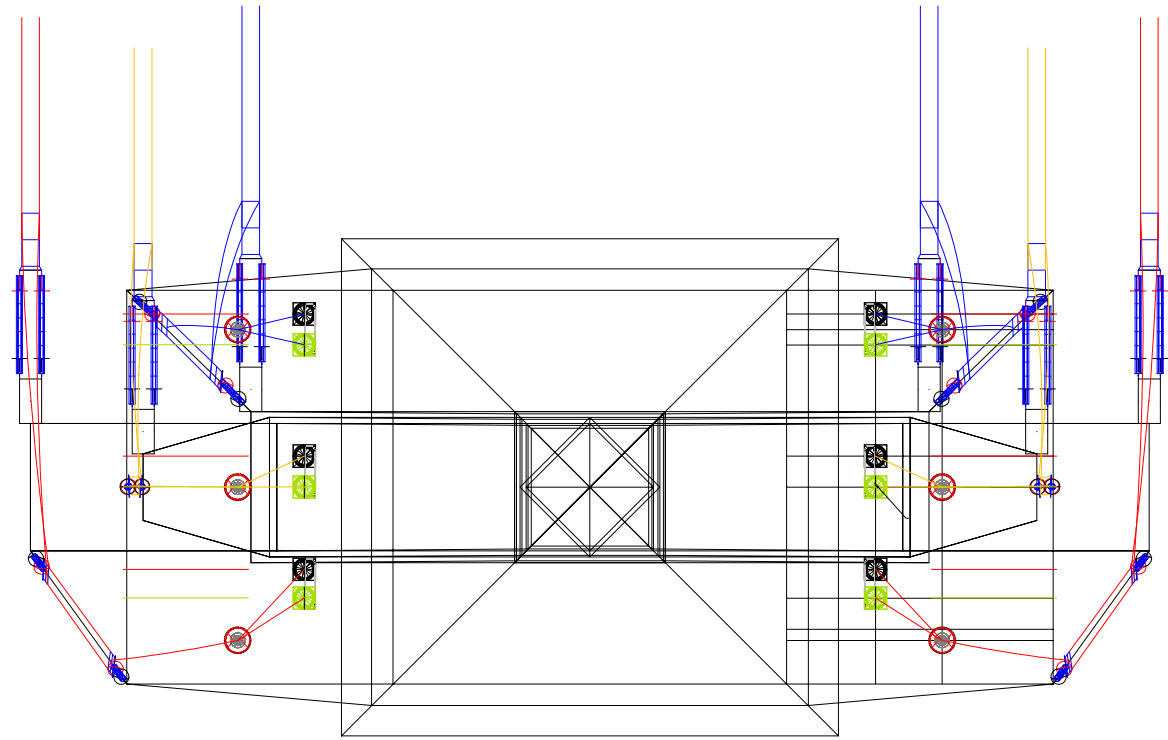
PROJECT:
 FEWA CONTRACT NO:E33/2013
 132kV AND 33kV OHL WORKS IN NORTHERN EMIRATES

DRAWING TITLE:
 132 kV LAT/DET WITH PLATFORM - ARRANGEMENT AS PER ZAMIL'S TOWER OUTLINE

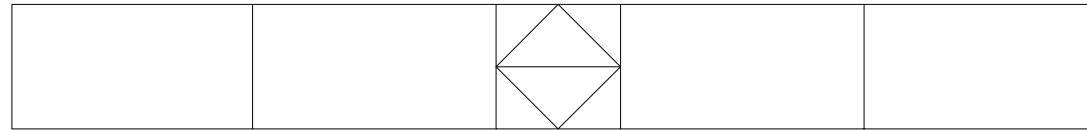
DTS NO:		DRAWING NO:			REVISION
APPROVED					0
CHECKED					
DESIGNED		DATE	SHEET	SHEET SIZE	SCALE
DRAWN	ENF-JB	30.12.2014	1 of 3	A3	NTS

DISCLAIMER:

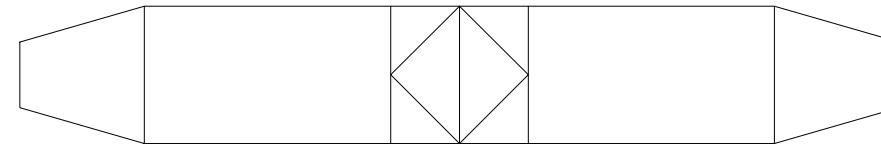
This Drawing is the property of Enfras Technical Services L.L.C (Dubai,U.A.E) & its de-facto parent Company -M.M Enterprises (India) and must not be passed on to any third person or firm/company not authorized by us,nor be copied/ made use in full or part by such person or firm/company without our prior permission in writing.



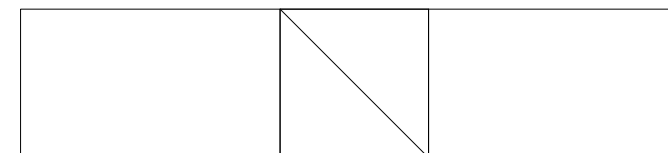
PLAN VIEW



BOTTOM PLAN VIEW - TOP X ARM



BOTTOM PLAN VIEW - MIDDLE X ARM



BOTTOM PLAN VIEW - BOTTOM X ARM

Abbreviations:

- (i) Ph - Phase to Phase Clearance (1.2 m*)
- (ii) E - Phase to Earth Clearance (1.0 m*)
- (iii) IS - Inverted Insulator string
- (iv) SA - Surge Arrestor
- (v) UI - Upright Insulator String
- (vi) TI - Tension Insulator String
- (vii) CSE - Compound Sealing End Bushing

Notes :

- (a) All dimensions are in millimeters unless otherwise specified
- (b) OHL Connector/Terminals of SA/CSE should be verified for compatibility of arrangement.
- (c) SA terminal and CSE terminal should be compatible for number of OHL conductors connection down droppers and CSE
- (d) When aviation warning spheres used, extra height can be achieved by adding suitable height extensions.

REV	DATE	DRAWN	REVISION DETAILS	CHECKED

CLIENT:

 الهيئة الاتحادية للكهرباء والماء
 Federal Electricity & Water Authority

CONSULTANT:

 ENERGOPROJEKT
 ENTEL
 P.O.Box 46725
 DUBAI - UNITED ARAB EMIRATES
 FAX : +97143356754 TEL : +97143356761

MAIN CONTRACTOR:

 سنطور
 CENTAUR
 ELECTRO-MECHANICAL CONTRACTING CO.(L.L.C)
 P.O.Box 25104, Dubai - U.A.E.
 Tel: (9714) 4542808, Fax: (9714) 4542809 Email: info@centaur.ae
 web: www.centaur.ae

ENGINEERING:

 ENFRAS TECHNICAL SERVICES (L.L.C)
 P.O.Box :7521, Dubai - U.A.E.
 Tel: +971-4-2895401
 ENFRAS Fax: +971-4-2895402

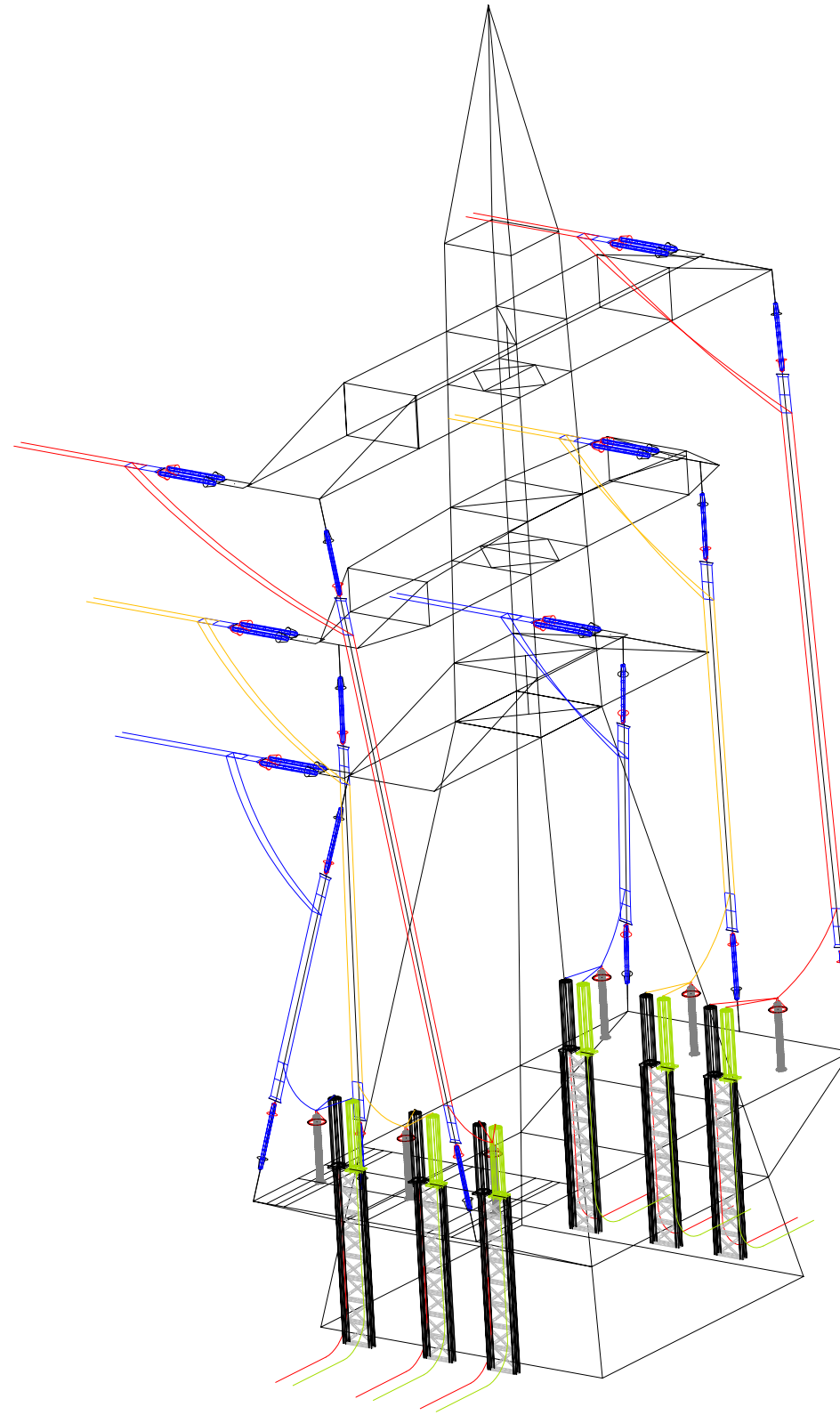
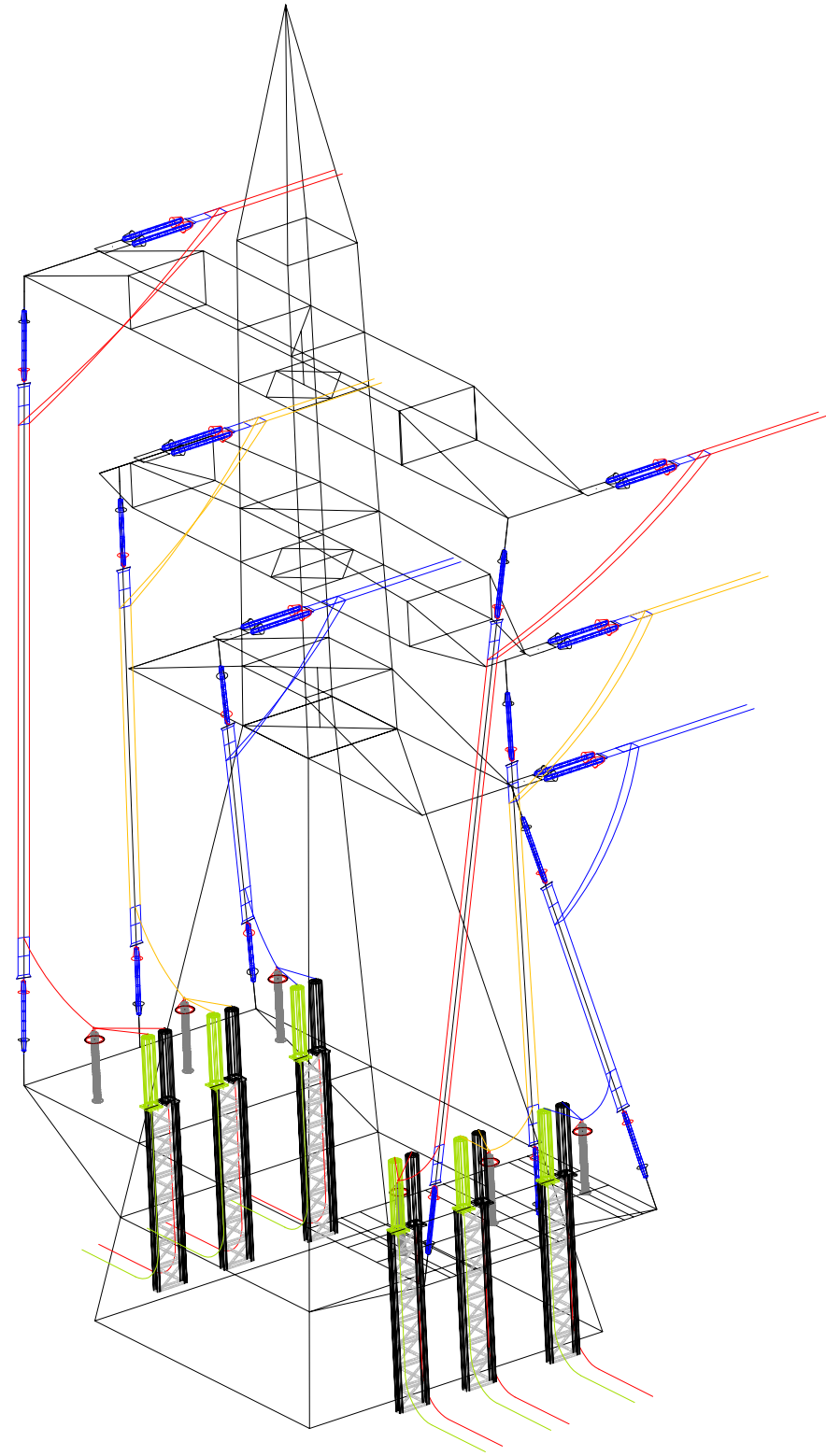
PROJECT
 FEWA CONTRACT NO:E33/2013
 132kV AND 33kV OHL WORKS IN NORTHERN EMIRATES

DRAWING TITLE
 132 kV LAT/DET WITH PLATFORM - ARRANGEMENT AS PER ZAMIL'S TOWER OUTLINE

APPROVED		DRAWING NO:			REVISION
					0
CHECKED		DATE	SHEET	SHEET SIZE	SCALE
DESIGNED		30.12.2014	2 of 3	A3	NTS
DRAWN	ENF-JB				

DISCLAIMER:
 This Drawing is the property of Enfras Technical Services L.L.C (Dubai,U.A.E) & its de-facto parent Company -M.M Enterprises (India) and must not be passed on to any third person or firm/company not authorized by us,nor be copied/ made use in full or part by such person or firm/company without our prior permission in writing.

3D VIEWS



Abbreviations:

- (i) Ph - Phase to Phase Clearance (1.2 m*)
- (ii) E - Phase to Earth Clearance (1.0 m*)
- (iii) IS - Inverted Insulator string
- (iv) SA - Surge Arrestor
- (v) UI - Upright Insulator String
- (vi) TI - Tension Insulator String
- (vii) CSE - Compound Sealing End Bushing

Notes :

- (a) All dimensions are in meters unless otherwise specified
- (b) OHL Connector/Terminals of SA/CSE should be verified for compatibility of arrangement.
- (c) SA terminal and CSE terminal should be compatible for number of OHL conductors connection down droppers and CSE
- (d) When aviation warning spheres used, extra height can be achieved by adding suitable height extensions.

REV	DATE	DRAWN	REVISION DETAILS	CHECKED

CLIENT:
 الهيئة الاتحادية للكهرباء والماء
 Federal Electricity & Water Authority

CONSULTANT:
ENERGOPROJEKT ENTEL
 P.O.Box 46725
 DUBAI - UNITED ARAB EMIRATES
 FAX: +97143356784 TEL: +97143356761

MAIN CONTRACTOR:
CENTAUR
 ELECTRO-MECHANICAL CONTRACTING CO.(L.L.C)
 P.O.Box 25104, Dubai - U.A.E.
 Tel: (9714) 4542808, Fax: (9714) 4542809 Email: info@centaur.ae web: www.centaur.ae

ENGINEERING:
 **ENFRAS TECHNICAL SERVICES (L.L.C)**
 P.O.Box :7521, Dubai - U.A.E.
 Tel: +971-4-2895401
 ENFRAS Fax: +971-4-2895402

PROJECT
 FEWA CONTRACT NO:E33/2013
 132kV AND 33kV OHL WORKS IN NORTHERN EMIRATES

DRAWING TITLE
 132 kV LAT/DET WITH PLATFORM - ARRANGEMENT AS PER ZAMIL'S TOWER OUTLINE

APPROVED		DRAWING NO:			REVISION	
CHECKED						0
DESIGNED		DATE	SHEET	SHEET SIZE	SCALE	
DRAWN	ENF-JB	30.12.2014	3 of 3	A3	NTS	

DISCLAIMER:

This Drawing is the property of Enfras Technical Services L.L.C (Dubai,U.A.E) & its de-facto parent Company -M.M Enterprises (India) and must not be passed on to any third person or firm/company not authorized by us,nor be copied/ made use in full or part by such person or firm/company without our prior permission in writing.